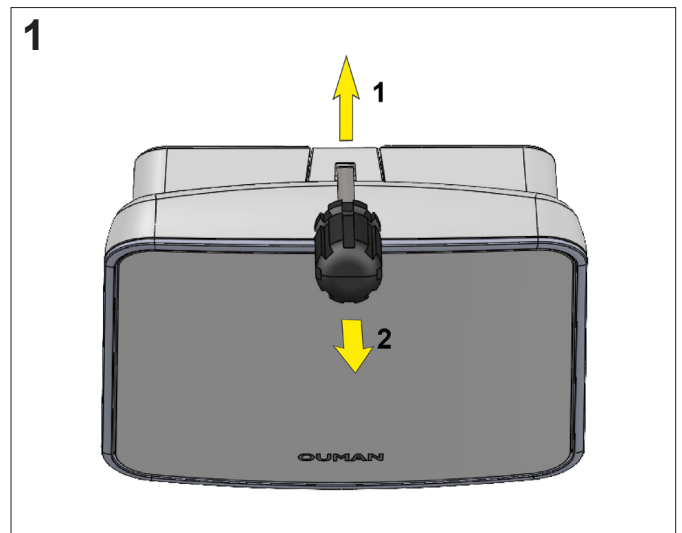
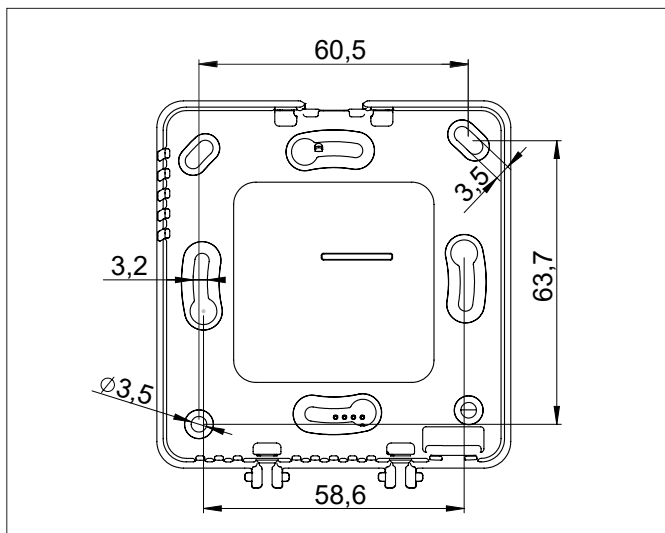


Wireless temperature, humidity and VOC sensor

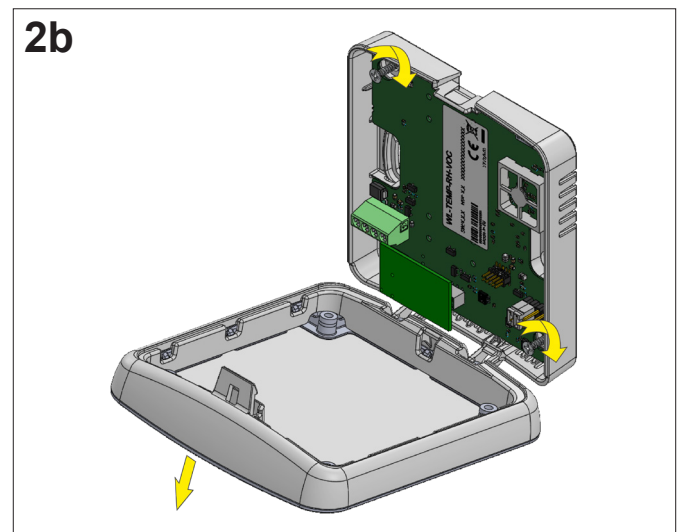
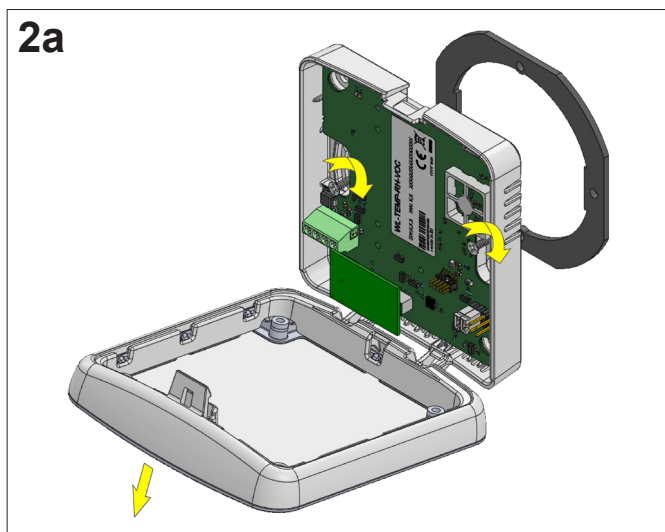
Installation and connection instructions

OMA0585

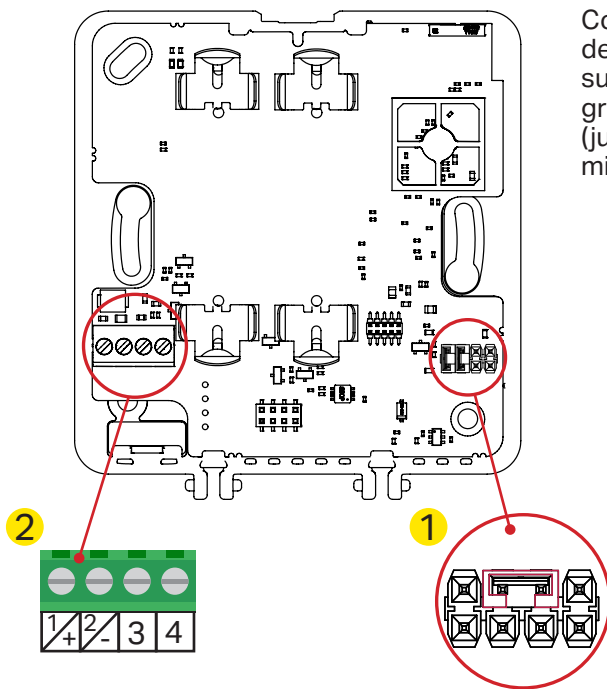


To the junction box

To the wall



AUX connection



Connect temperature measurement, digital input or water leak detector in terminal strips 3 and 4. **2** For the transmitter measurement connect terminal strips 3 and 4 (power source's ground \perp) **2** and **1** remove the battery-side short-circuit (jumper) and turn the other short-circuit from upright to two middle pins in horizontal position on sensor circuit board.