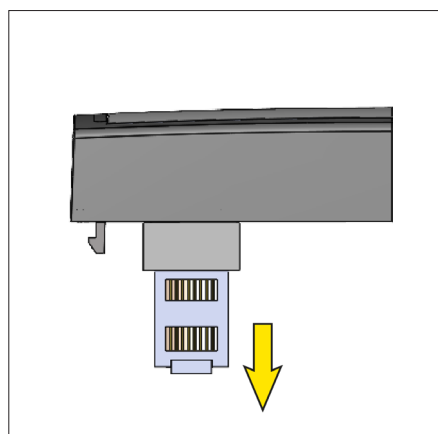
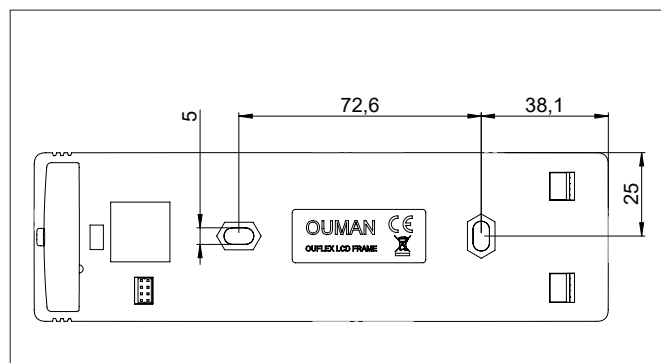
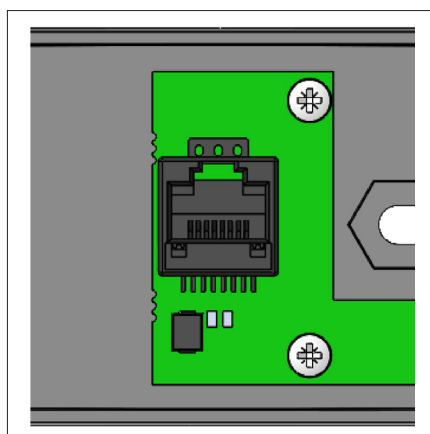


Wall mounting frame for Ouflex display Installation sheet

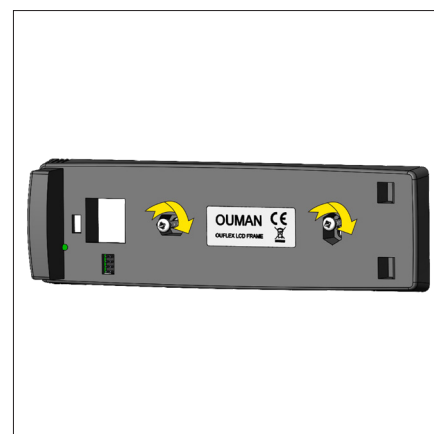
OMA0519



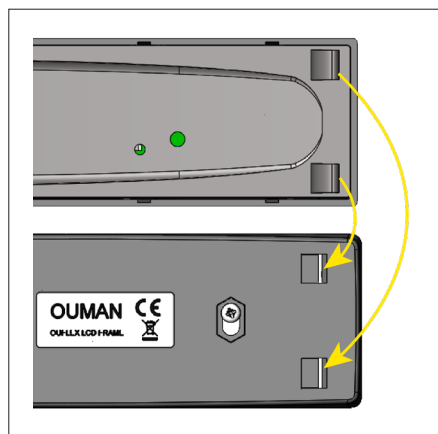
1. Remove the adapter piece from the external display.



2. Connect the cable of external display to the frame connector.



3. Attach the frame to the wall with screws.



4. Locate the nodules of the display to the holes of the frame and gently press the display into place.