

Characterised control valve, 2-way, External thread

- For open and closed cold and hot water systems
- For modulating control on the water side of domestic water in district heating applications and for heated potable water on request
- Air-bubble tight



Type overview

Type	DN	G ["]	Kvs [m ³ /h]	PN	n(gl)	Sv min.
R404DK	10	3/4	0.3	40	3.2	50
R405DK	10	3/4	0.4	40	3.2	50
R406DK	10	3/4	0.63	40	3.2	50
R407DK	10	3/4	1	40	3.2	50
R408DK	10	3/4	1.6	40	3.2	50
R409DK	10	3/4	2.5	40	3.2	50
R412D	15	1	2.5	40	3.2	100
R413D	15	1	4	40	3.2	100
R414D	15	1	6.3	40	3.2	100
R417D	20	1 1/4	6.3	40	3.2	100
R418D	20	1 1/4	10	40	3.2	200
R419D	20	1 1/4	16	40	3.2	200

Technical data

Functional data	Fluid	Cold, warm and hot water, potable water (on request), water with glycol up to max. 50% vol.	
	Fluid temperature	2...130°C [36...266°F]	
	Fluid temperature note	The allowed fluid temperature can be limited, depending on the type of actuator. Limitations can be found in the respective data sheets of the actuators.	
	Close-off pressure Δp_s	1400 kPa	
	Differential pressure Δp_{v100}	400 kPa	
	Differential pressure Δp_{v0}	800 kPa	
	Flow characteristic	equal percentage (VDI/VDE 2173), optimised in the opening range	
	Leakage rate	air-bubble tight, leakage rate A (EN 12266-1)	
	Z value min.	0.3 (EN 12266), Cavitation factor with a fully open valve	
	Angle of rotation	90°	
	Angle of rotation note	Operating range 15...90°	
	Pipe connection	External thread according to ISO 228-1	
	Servicing	maintenance-free	
	Materials	Valve body	Low lead red brass (CuSn4Zn6Pb3)
		Closing element	Stainless steel

Technical data

Materials	Spindle	Stainless steel
	Spindle end	Brass CW 614 N (DN 10, 15) Plastic (PA66 GF30%) (DN 20)
	Spindle seal	FKM
	Spindle bearing	PTFE
	Seat	ETFE
	Grease	Unisilikon (potable water grade)
	Thermal block	Plastic (PA66 GF30%)
	Diffuser	ETFE

Safety notes


- The valve has been designed for use in stationary heating, ventilation and air-conditioning systems and must not be used outside the specified field of application, especially in aircraft or in any other airborne means of transport.
- Only authorised specialists may carry out installation. All applicable legal or institutional installation regulations must be complied with during installation.
- The valve does not contain any parts that can be replaced or repaired by the user.
- The valve may not be disposed of as household refuse. All locally valid regulations and requirements must be observed.
- When determining the flow rate characteristic of controlled devices, the recognised directives must be observed.
- National regulations must be observed when using the ball valve in potable water applications.

Product features

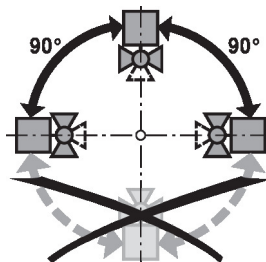
- Operating mode** The ball valve is adjusted by a rotary actuator. The actuator is controlled by a commercially available modulating or 3-point control system and moves the ball of the valve – the throttling device – to the position dictated by the control signal. Open the characterised control valve counterclockwise and close it clockwise.
- Flow characteristic** Equal percentage flow control is ensured by the integrated characterising disc.

Accessories

Mechanical accessories	Description	Type
	Pipe connector for ball valve with external thread DN 10 Rp 3/8"	ZR4510
	Pipe connector for ball valve with external thread DN 15 Rp 1/2"	ZR4515
	Pipe connector for ball valve with external thread DN 20 Rp 3/4"	ZR4520

Installation notes

- Permissible installation orientation** The ball valve can be installed upright to horizontal. The ball valve may not be installed in a hanging position, i.e. with the spindle pointing downwards.

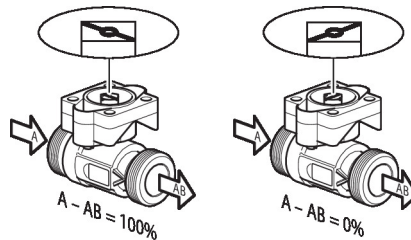


Installation notes

Water quality requirements The water quality requirements specified in VDI 2035 must be adhered to. Belimo valves are regulating devices. For the valves to function correctly in the long term, they must be kept free from particle debris (e.g. welding beads during installation work). The installation of a suitable strainer is recommended.

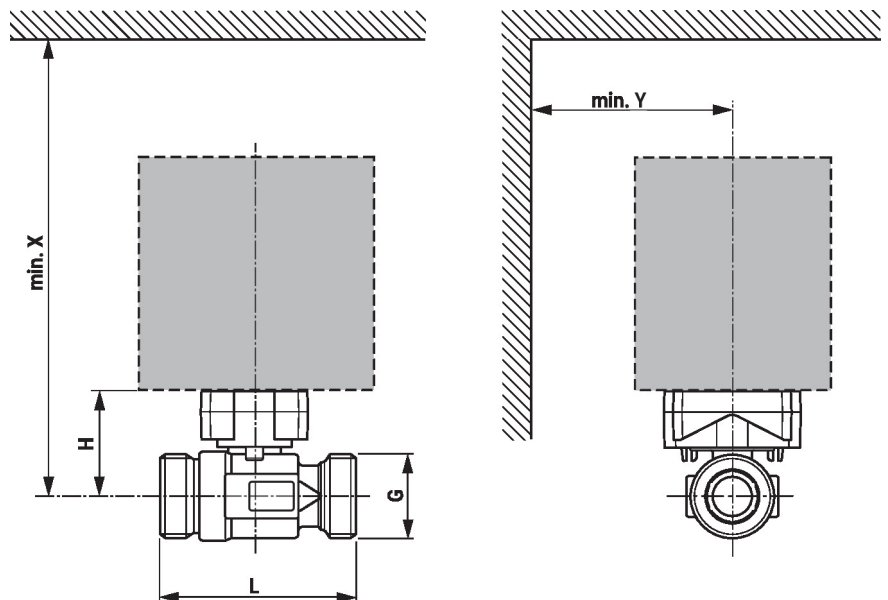
Servicing Ball valves and rotary actuators are maintenance-free. Before any service work on the control element is carried out, it is essential to isolate the rotary actuator from the power supply (by unplugging the electrical cable if necessary). Any pumps in the part of the piping system concerned must also be switched off and the appropriate slide valves closed (allow all components to cool down first if necessary and always reduce the system pressure to ambient pressure level). The system must not be returned to service until the ball valve and the rotary actuator have been correctly reassembled in accordance with the instructions and the pipeline has been refilled by professionally trained personnel.

Flow direction The direction of flow, specified by an arrow on the housing, is to be complied with, since otherwise the ball valve could become damaged. Please ensure that the ball is in the correct position (marking on the spindle).




Dimensions

Dimensional drawings



X/Y: Minimum distance with respect to the valve centre.
The actuator dimensions can be found on the respective actuator data sheet.

Dimensions

Type	DN	G [""]	L [mm]	H [mm]	X [mm]	Y [mm]	 kg
R404DK	10	3/4	65	38	190	70	0.25
R405DK	10	3/4	65	38	190	70	0.25
R406DK	10	3/4	65	38	190	70	0.25
R407DK	10	3/4	65	38	190	70	0.25
R408DK	10	3/4	65	38	190	70	0.25
R409DK	10	3/4	65	38	190	70	0.25
R412D	15	1	75	42	195	70	0.38
R413D	15	1	75	42	195	70	0.38
R414D	15	1	75	42	195	70	0.38
R417D	20	1 1/4	107	55	200	70	0.77
R418D	20	1 1/4	107	55	200	70	0.77
R419D	20	1 1/4	107	55	200	70	0.77

Further documentation

- The complete product range for water applications
- Data sheets for actuators
- Installation instructions for actuators and/or ball valves
- General notes for project planning