

Rotary actuator in connection with a mounting kit for the motorisation of the most common mixing valves in HVAC systems

- Torque 10 Nm
- Nominal voltage AC 24 V
- Control: Open/close or 3-point



## Technical data

|                            |                           |   |
|----------------------------|---------------------------|---|
| <b>Electrical data</b>     | Nominal voltage           | AC 24 V, 50/60 Hz   |
|                            | Power supply range        | AC 19.2 ... 28.8 V  |
|                            | Power consumption         | In operation 1.5 W at nominal torque  |
|                            |                           | For wire sizing 1.5 VA  |
|                            | Connection                | Terminals 4 mm <sup>2</sup> (cable Ø 6 ... 8 mm, three-core)  |
|                            | Parallel connection       | No  |
| <b>Functional data</b>     | Torque (nominal torque)   | Min. 10 Nm at nominal voltage   |
|                            | Position accuracy         | ±5%   |
|                            | Manual override           | Temporary and permanent disengagement of the gearing latch by means of the rotary knob on the housing |
|                            | Running time              | 140 s / 90°↔  |
|                            | Sound power level         | Max. 35 dB (A)  |
|                            | Position indication       | Reversible scale plate 0 ... 1  |
| <b>Safety</b>              | Protection class          | III Extra low voltage   |
|                            | Degree of protection      | IP40  |
|                            | EMC                       | CE according to 89/336/EEC  |
|                            | Mode of operation         | Type 1.B (to EN 60730-1)  |
|                            | Rated impulse voltage     | 0.8 kV (to EN 60730-1)  |
|                            | Control pollution degree  | 3 (to EN 60730-1)   |
|                            | Ambient temperature range | 0 ... +50 °C  |
|                            | Media temperature         | +5 ... +120 °C (in mixing body)   |
|                            | Non-operating temperature | -30 ... +80 °C  |
|                            | Ambient humidity range    | 95% r.H., non-condensating (to EN 60730-1)  |
| Maintenance                | Maintenance-free          |   |
| <b>Dimensions / Weight</b> | Dimensions                | See «Dimensions» on page 2  |
|                            | Weight                    | Approx. 500 g   |

## Safety notes



- The actuator has been designed for use in stationary heating, ventilation and air conditioning systems and is not allowed to be used outside the specified field of application, especially in aircraft or in any other airborne means of transport.
- It may only be installed by suitably trained personnel.  
All applicable legal or institutional installation regulations must be complied with.
- The device does not contain any parts that can be replaced or repaired by the user.
- To calculate the torque required, the specifications supplied by the mixing valve manufacturer must be observed.
- The device contains electrical and electronic components and is not allowed to be disposed of as household refuse. All locally valid regulations and requirements must be observed.

## Product features

- Simple direct mounting** Straightforward direct mounting with only one screw. The mounting position in relation to the mixing valve can be selected in 90°  $\leftarrow$  steps.
- Manual operation** Manual operation possible by lever (temporary disengagement of the gearing latch by pressing, permanent disengagement by means of the rotary knob on the housing).
- Functional reliability** The actuator switches off automatically when the end stops are reached.

## Accessories

### Description

- Mechanical accessories** Mounting kits for ESBE, Termomix, Pommerening, Dumserwerk, Lovato, Landis & Staefa, Lazzari, Oventrop, Meibes, Wita, Holter, Satchwell and Centra mixing valves.

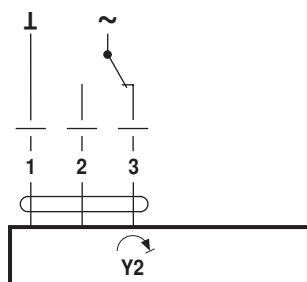
## Electrical installation

### Wiring diagrams

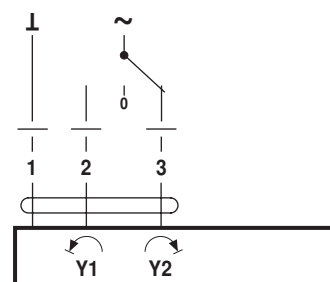
**Note**  
Connect via safety isolation transformer.



### Open-close control

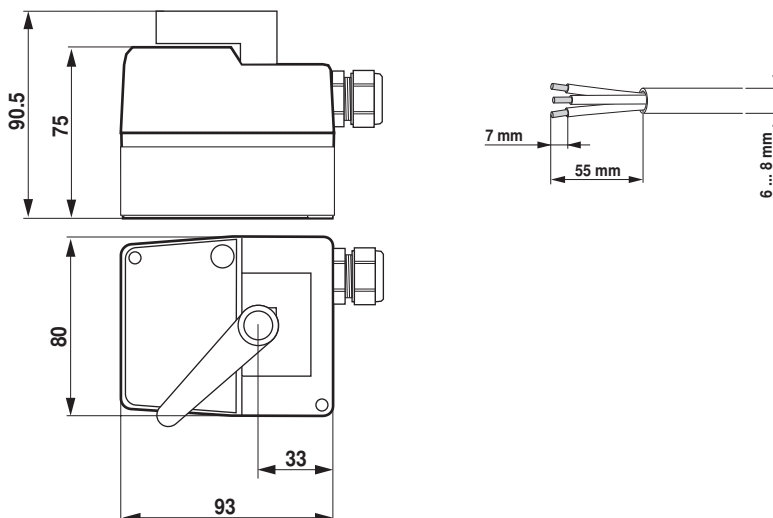


### 3-point control

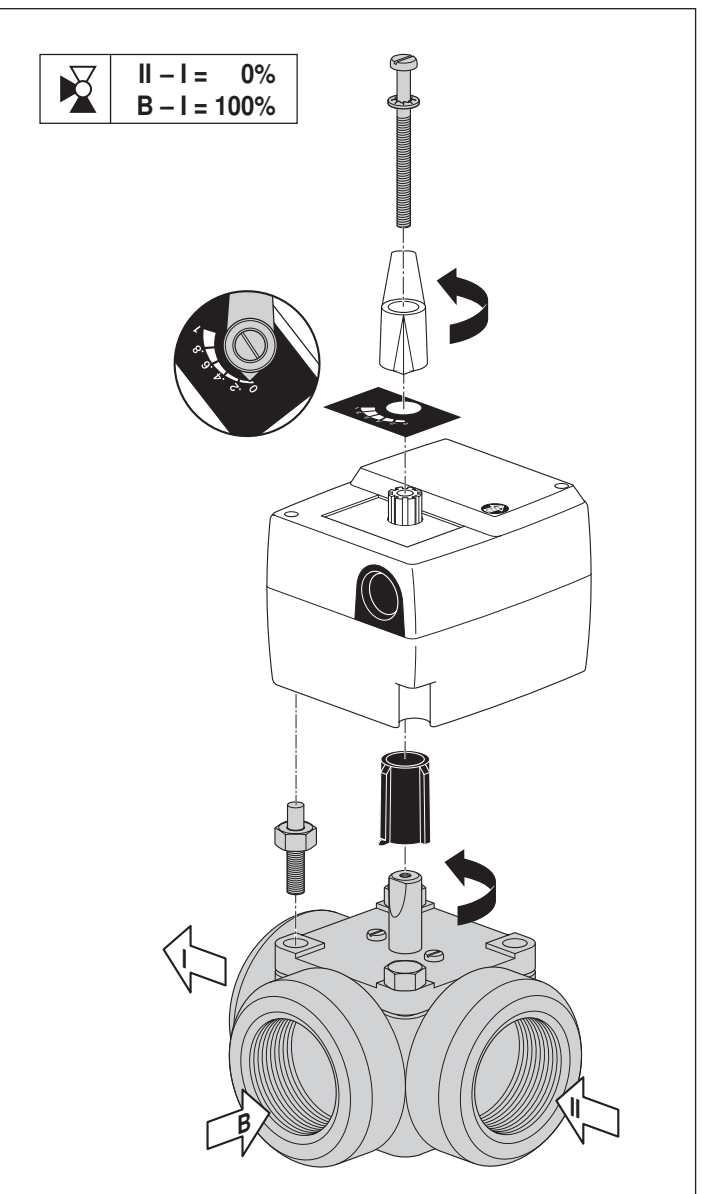
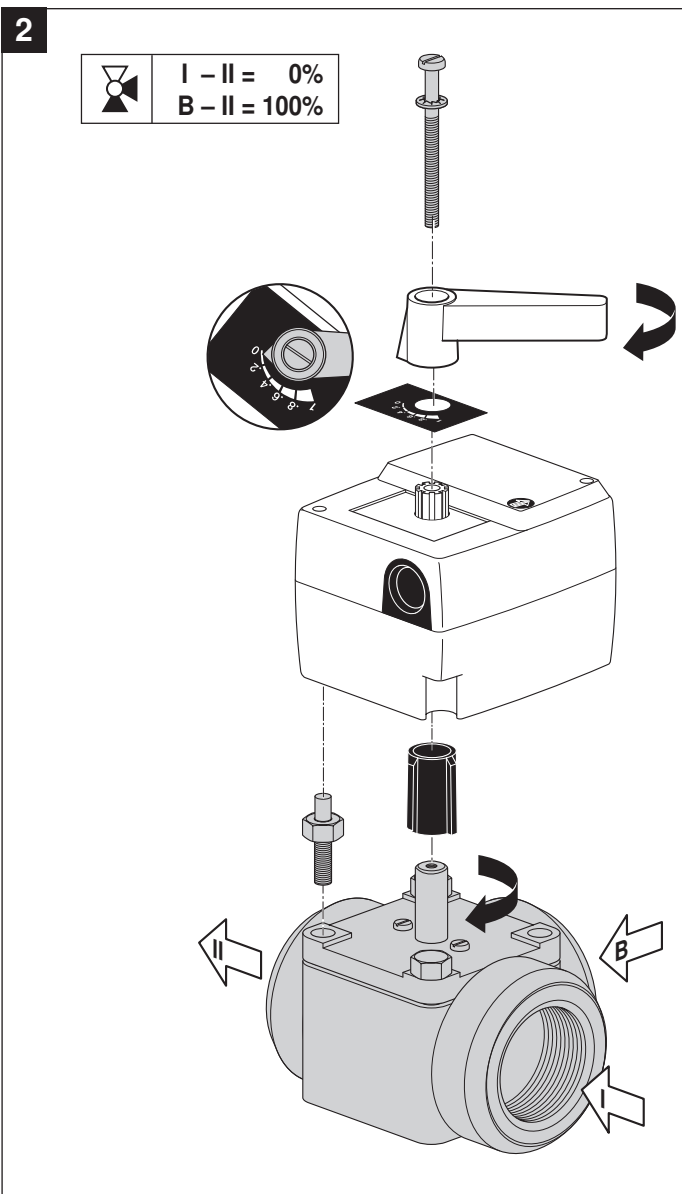
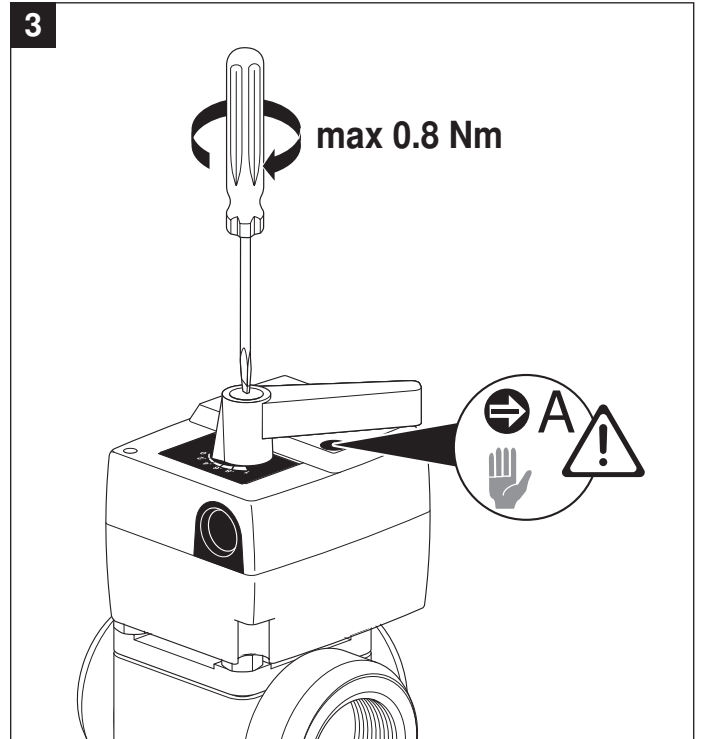
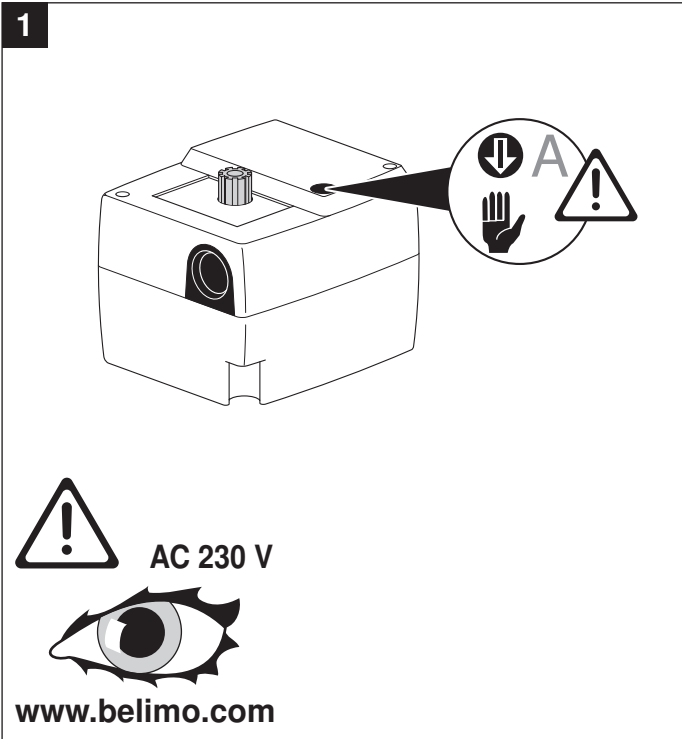


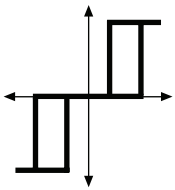
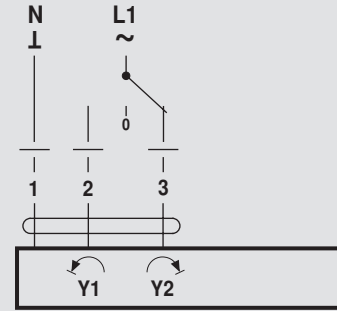
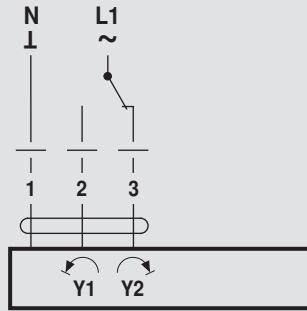
## Dimensions [mm]

### Dimensional diagrams

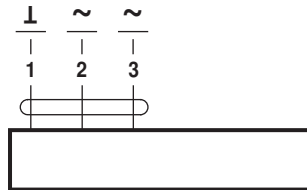


70722-00001.B

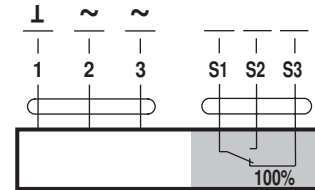




AC 24 V

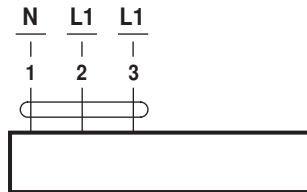


HT..24-3-T

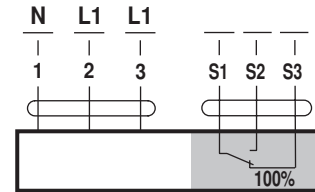


HT..24-3-S

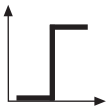
AC 230 V



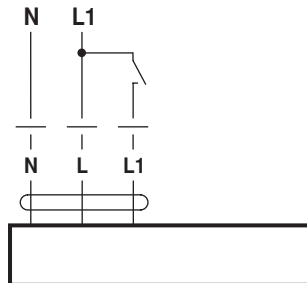
HT..230-3-T



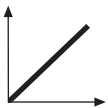
HT..230-3-S



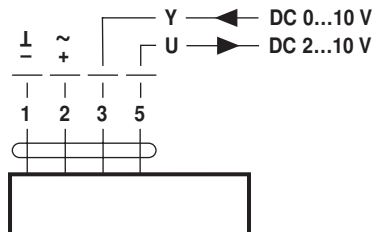
AC 230 V



HT..230-1-T



AC 24 V / DC 24 V



HT..24-SR-T



AC 230 V



[www.belimo.com](http://www.belimo.com)