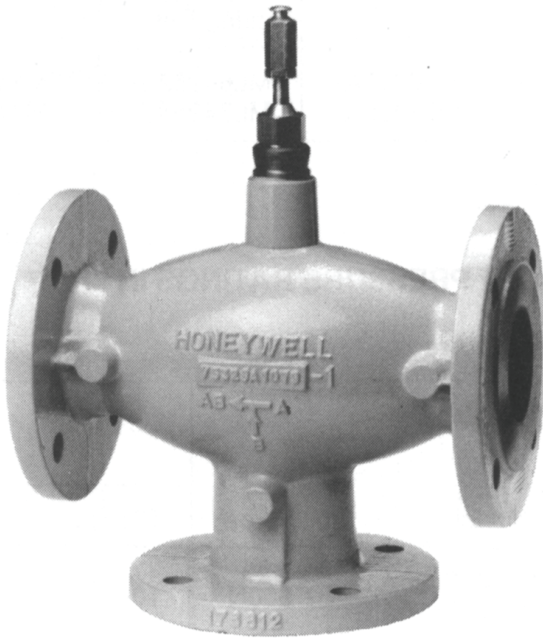


V5329A,C FLANGED LINEAR VALVE PN6/16

PRODUCT DATA



APPLICATION

These three-port mixing valves are used for modulating control of hot or chilled water in heating, ventilation, and air conditioning systems and can be operated by electric linear actuators as ML6420/6425, ML7420/7425, and ML6421/7421 or by pneumatic actuators MP953.

FEATURES

- Cast iron body with flanged end connections
- Metal-to-metal seating for long life span
- Self adjusting packing
- Accurate positioning to ensure state-of-the-art temperature control
- Direct-coupled electric and pneumatic actuators for easy mounting
- Constant total flow throughout full plug travel

SPECIFICATIONS

Action	Stem up to close port A-AB
Nominal pressure rating	V5329A - PN16 V5329C - PN6
Flow characteristic	Equal percentage port A-AB, linear port B-AB
Rangeability	50:1
Leakage rate	≤0.5 % of kvs port A-AB ≤1 % of kvs port B-AB
Stroke	20 mm
Valve body	
End connections	Flanged per ISO 7005-2
Material	Cast iron (GG25)
Dimensions	See Fig. 1
Trim	
Seat	Body integrated
Plug	Stainless steel, skirt-guided
Stem	Stainless steel
Packing	Spring-loaded PTFE cone rings
Medium temperature and max. pressure	
PN16	2 ... 120 °C; 1600 kPa 120 ... 150 °C; 1440 kPa 150 ... 170 °C; 1370 kPa
PN6	2 ... 120 °C; 600 kPa 120 ... 150 °C; 540 kPa 150 ... 170 °C; 510 kPa
Maximum temperature differential in alternating hot/cold water use	60 K

SIZES AND FLOW CAPACITIES

order number	valve size	kvs
V5329A1004	DN15	2.5
V5329A1012	DN15	4.0
V5329A1020	DN20	6.3
V5329A1038	DN25	10.0
V5329A1046	DN32	16.0
V5329A1053	DN40	25.0
V5329A1061	DN50	40.0
V5329A1079	DN65	63.0
V5329A1087	DN80	100.0
V5329C1000	DN15	2.5
V5329C1018	DN15	4.0
V5329C1026	DN20	6.3
V5329C1034	DN25	10.0
V5329C1042	DN32	16.0
V5329C1059	DN40	25.0
V5329C1067	DN50	40.0
V5329C1075	DN65	63.0
V5329C1083	DN80	100.0

INSTALLATION

- Water should meet VDI 2035 requirements.
- Do not install valve with stem below the horizontal.
- Fluid flow must correspond with the arrow direction on the valve body.
- The installation of a strainer is strongly recommended.

REPAIR PACKING KIT

Part No.: R43176754001 (DN15...32)
R43176754002 (DN40...80)

CLOSE OFF PRESSURE RATINGS IN kPa

Pneumatic Actuators

actuator model MP953	size (in)	dir.	rev.	actuator spring range	air pressure in actuator	positioner	closed valve seat	valve size							
								DN15	DN20	DN25	DN32	DN40	DN50	DN65	DN80
A5005, C5027	5	x		27-76 kPa (4-11 psi)	0 kPa 115 kPa	yes no	upper lower	150 370	150 370	150 370	90 240	40 130	-	-	-
C5019	5	x		55-83 kPa (8-12 psi)		no		500 200	500 200	500 200	330 120	190 60	-	-	-
C5068	8	x		14-48 kPa (2-7 psi)		no		340 ²⁾ 1600 ²⁾	340 ²⁾ 1600 ²⁾	340 ²⁾ 1600 ²⁾	220 1600 ¹⁾	120 1000 ¹⁾	50 600	-	-
A5039, C5084	8	x		27-76 kPa (4-11 psi)		yes no		980 ²⁾ 1400 ²⁾	980 ²⁾ 1400 ²⁾	980 ²⁾ 1400 ²⁾	600 ²⁾ 920 ²⁾	360 570	200 320	120 200	70 120
C5076	8	x		55-83 kPa (8-12 psi)		no		1600 ²⁾ 1000 ²⁾	1600 ²⁾ 1000 ²⁾	1600 ²⁾ 1000 ²⁾	1300 ²⁾ 730 ²⁾	850 ²⁾ 440 ²⁾	480 240	300 150	190 90
D5025	7		x	27-76 kPa (4-11 psi)		no		480 790 ¹⁾	480 790 ¹⁾	480 790 ¹⁾	320 540	180 320	90 170	50 100	20 60
B5003, D5009	7		x	55-90 kPa (8-13 psi)		yes no		1200 ¹⁾ 600	1200 ¹⁾ 600	1200 ¹⁾ 600	830 ¹⁾ 410	510 240	280 120	170 70	100 40

¹⁾ For V5329C, maximum 600 kPa

²⁾ For V5329A, only

Electric Actuators

actuator		valve size							
model	force	DN15	DN20	DN25	DN32	DN40	DN50	DN65	DN80
ML6420A, ML6425A,B ML7420A, ML7425A,B	600 N	1000 ¹⁾	1000 ¹⁾	1000 ¹⁾	790 ¹⁾	480	260	160	100
ML6421A, ML7421A	1800 N	-	-	-	1000 ¹⁾	1000 ¹⁾	1000 ¹⁾	650 ¹⁾	400

¹⁾ For V5329C, maximum 600 kPa

DIMENSIONS (mm)

Valve

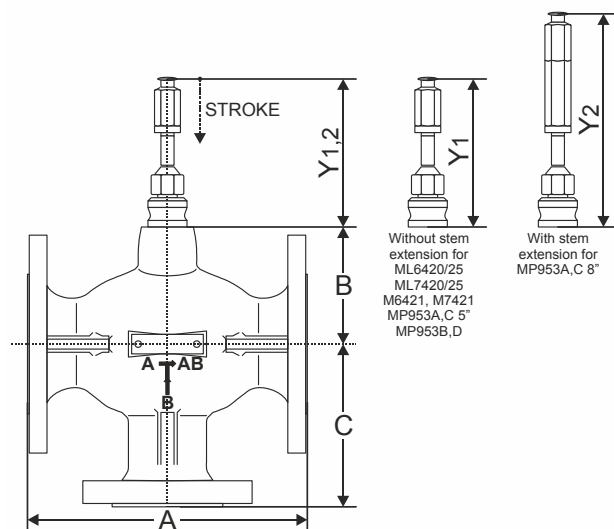


Fig. 1. V5329A,C

Table 1. Dimensions, V5329A,C (in mm)

valve size	A	B	C	Y ₁	Y ₂
				stem up	
DN15	130	63	90	107 port A-AB closed	151 port A-AB closed
DN20	150		95		
DN25	160	80	100		
DN32	180		105		
DN40	200		115		
DN50	230	94	125		
DN65	290	105	145		
DN80	310	112	155		

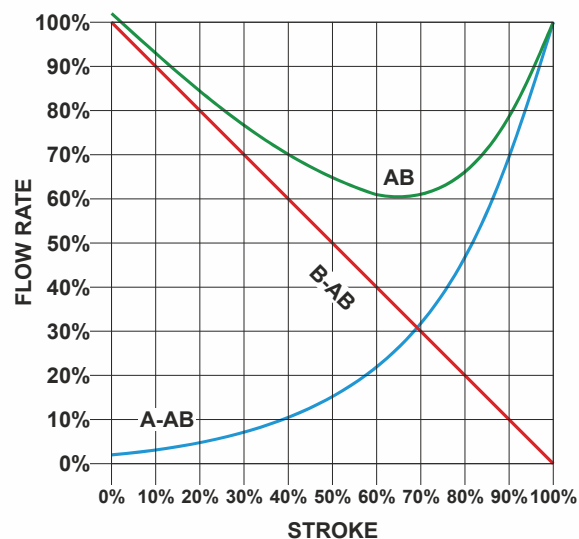


Fig. 2. Characteristic curve of V5329A,C

Pneumatic Actuators

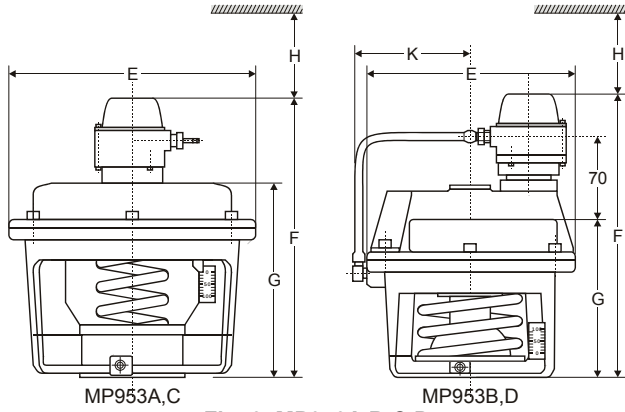


Fig. 3. MP953A,B,C,D

model	E	F	G	H	K	
MP953A 5"	130	192	-	120	-	
MP953C 5"		-	120			
MP953A 8"	210	237	-	140		
MP953C 8"		-	165			
MP953B	180	242	-	120		107
MP953D		-	137			

Electric Actuators

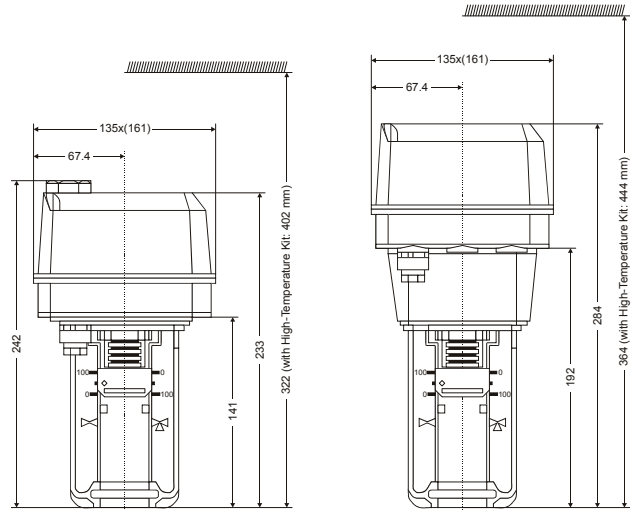


Fig. 4. ML6420A/6425A,B ML7420A/7425A,B

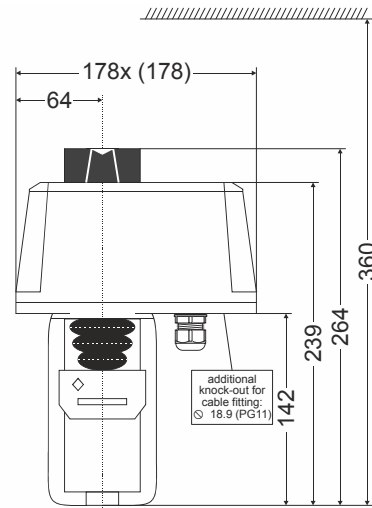


Fig. 5. ML6421A, ML7421A

Honeywell

Manufactured for and on behalf of the Environmental & Energy Solutions Division of Honeywell Technologies Sàrl, Rolle, Z.A. La Pièce 16, Switzerland by its Authorized Representative:

Home and Building Technologies

Honeywell GmbH
 Böblinger Strasse 17
 71101 Schönaich / Germany
 Phone: (49) 7031 63701
 Fax: (49) 7031 637493
<http://ecc.emea.honeywell.com>
 Subject to change without notice. Printed in Germany

EN0B-0703GE51 R0217